



US00D840578S

(12) **United States Design Patent**  
**Luo et al.**

(10) **Patent No.:** **US D840,578 S**

(45) **Date of Patent:** **\*\* Feb. 12, 2019**

(54) **LAMP**

(71) Applicant: **Shenzhen Lite Science Electronics Co., Limited**, Shenzhen, Guangdong (CN)

(72) Inventors: **Can Luo**, Guangdong (CN); **Rui Ruan**, Guangdong (CN); **Yaohua Xie**, Guangdong (CN)

(73) Assignee: **SHENZHEN LITE SCIENCE ELECTRONICS CO., LIMITED**, Shenzhen, Guangdong Province (CN)

(\*\*) Term: **15 Years**

(21) Appl. No.: **29/605,838**

(22) Filed: **May 31, 2017**

(30) **Foreign Application Priority Data**

May 20, 2017 (CN) ..... 2017 3 0190072

(51) **LOC (11) Cl.** ..... **26-03**

(52) **U.S. Cl.** ..... **D26/88**  
USPC

(58) **Field of Classification Search**  
USPC ..... D26/71, 72, 80, 88, 91, 92, 122  
CPC ..... F21S 8/03; F21S 8/04; F21S 8/043; F21S 8/06; F21S 8/061; F21S 8/063; F21V 21/008; F21V 21/02; F21V 29/2212; F21V 29/767; F21V 29/77; F21V 29/777; F21V 29/78

See application file for complete search history.

(56) **References Cited**

**U.S. PATENT DOCUMENTS**

- D57,419 S \* 3/1921 Adam ..... D26/88
- D217,924 S \* 6/1970 Clostermann et al. .... D25/109
- 3,705,303 A \* 12/1972 Willis, Jr. .... F21S 8/06  
362/308
- D226,217 S \* 1/1973 Anderson, Jr. .... D26/88

- D229,090 S \* 11/1973 Anderson, Jr. .... D26/85
- D240,320 S \* 6/1976 Anderson, Jr. .... D26/85
- D251,871 S \* 5/1979 Horn ..... D26/91
- D283,362 S \* 4/1986 Levin ..... D26/122
- D324,275 S \* 2/1992 Barsotti ..... D10/114.1
- D356,176 S \* 3/1995 Tsuji ..... D26/91
- D490,181 S \* 5/2004 Redfern ..... D26/72
- D493,558 S \* 7/2004 Kovach ..... D26/72
- D493,566 S \* 7/2004 Yu ..... D26/122
- D499,835 S \* 12/2004 Yu ..... D26/122
- D502,284 S \* 2/2005 Egawa ..... D26/122

(Continued)

**OTHER PUBLICATIONS**

Diamond High Bay black with uplight, by Shenzhen Lite Science Electronics Co., Ltd. (C) 2017. Found at litescience.com visited Mar. 7, 2018. (Year: 2017).\*

*Primary Examiner* — Clare E Heflin

(74) *Attorney, Agent, or Firm* — Cheng-Ju Chiang

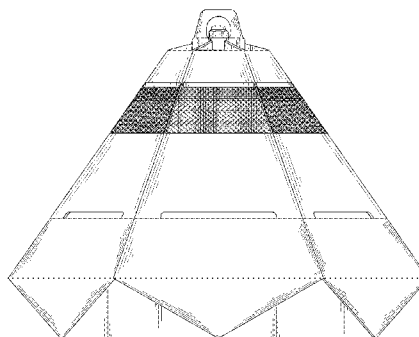
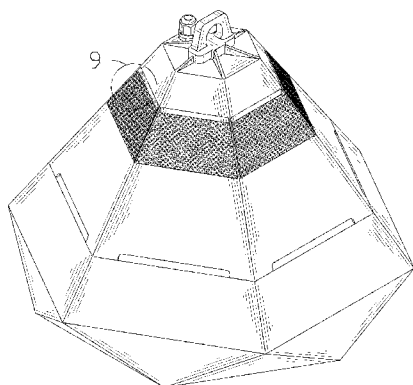
(57) **CLAIM**

The ornamental design for a lamp, as shown and described.

**DESCRIPTION**

FIG. 1 is a first perspective view of a lamp showing our new design;  
 FIG. 2 is a second perspective view thereof;  
 FIG. 3 is a front elevational view thereof;  
 FIG. 4 is a rear elevational view thereof;  
 FIG. 5 is a left side view thereof;  
 FIG. 6 is a right side view thereof;  
 FIG. 7 is a top plan view thereof;  
 FIG. 8 is a bottom plan view thereof;  
 FIG. 9 is an enlarged view of part 9 in FIG. 1; and,  
 FIG. 10 is an enlarged view of part 10 in FIG. 2.  
 The broken line portions are included to show unclaimed subject matter only and form no part of the claimed design.

**1 Claim, 10 Drawing Sheets**



(56)

**References Cited**

U.S. PATENT DOCUMENTS

D567,988	S	*	4/2008	Lissoni	.....	D26/88
D636,113	S	*	4/2011	Finke	.....	D26/122
D638,570	S	*	5/2011	Verelst	.....	D26/90
D776,323	S	*	1/2017	Oh	.....	D26/70
D798,487	S	*	9/2017	Thompson	.....	D26/135
D821,635	S	*	6/2018	Wu	.....	D26/122

\* cited by examiner

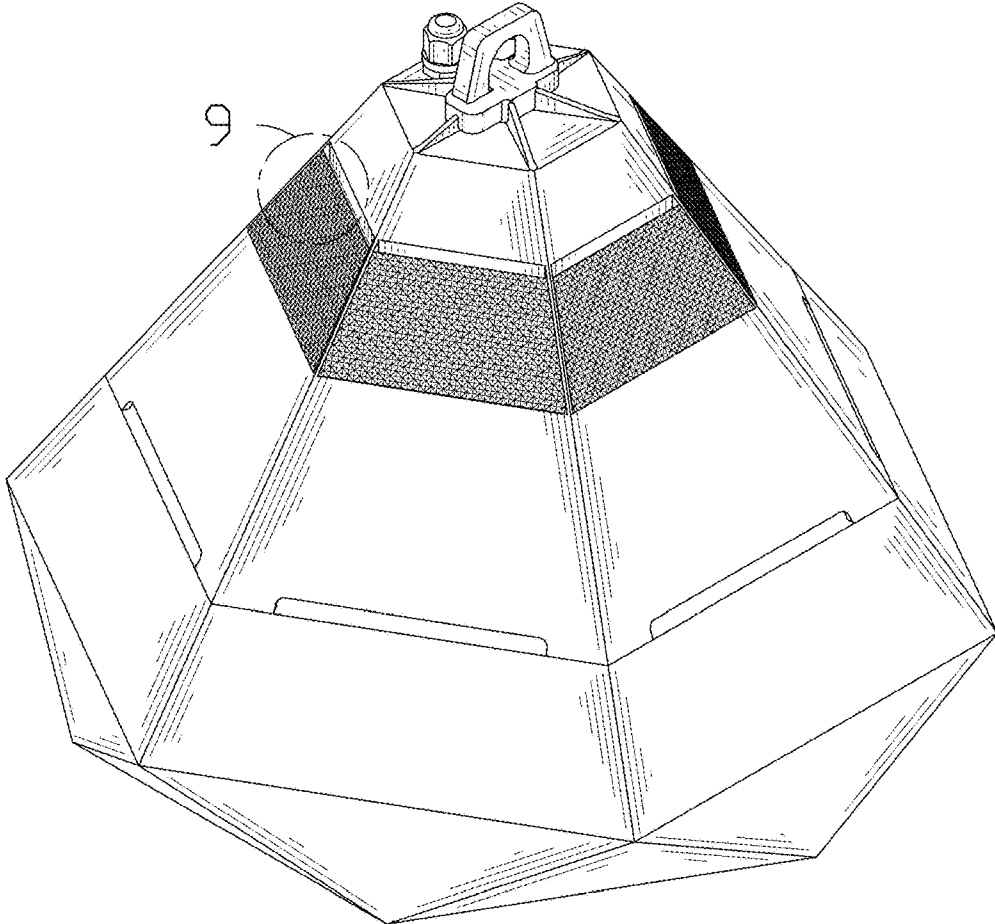


FIG. 1

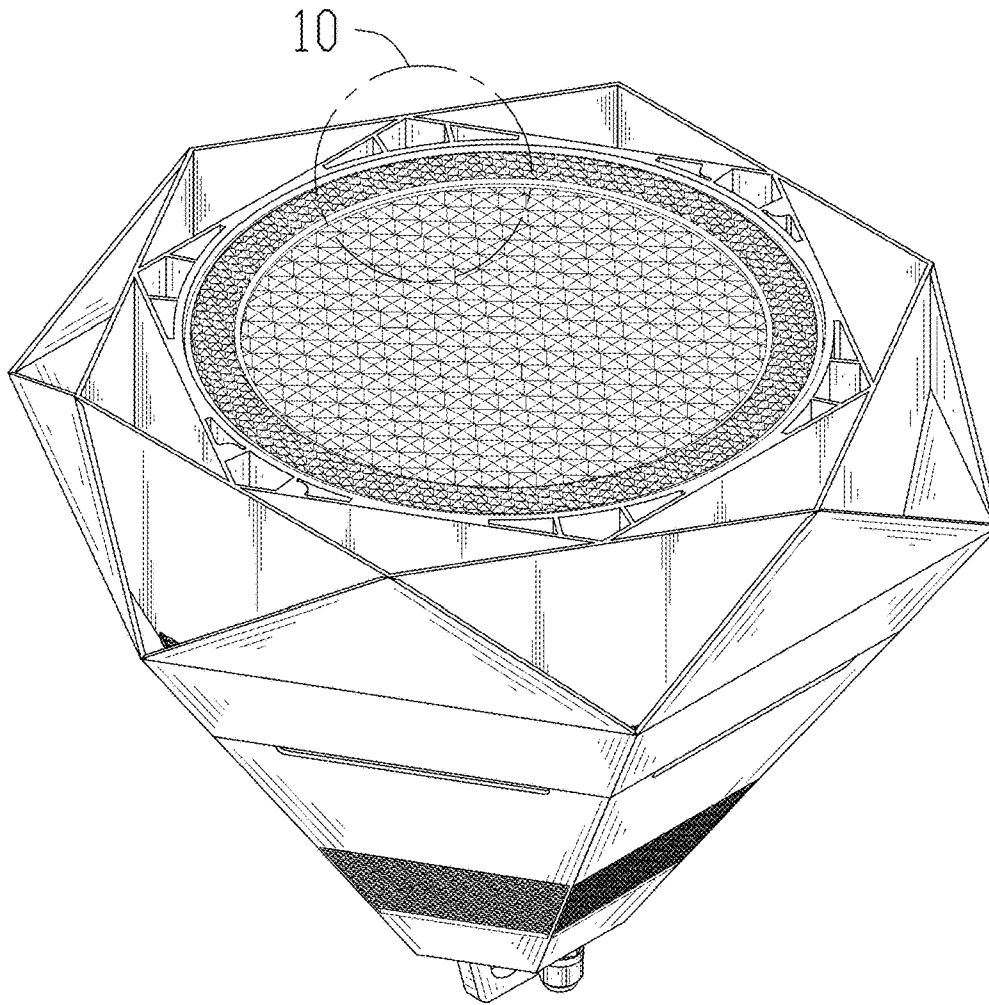


FIG. 2

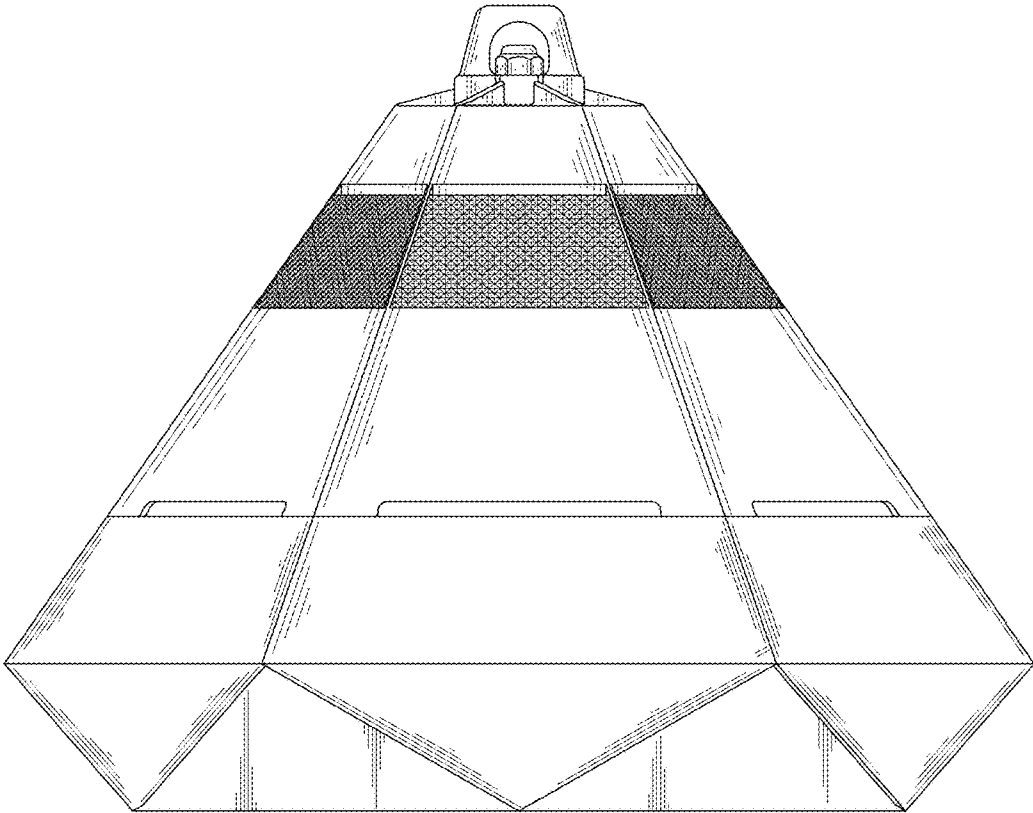


FIG. 3

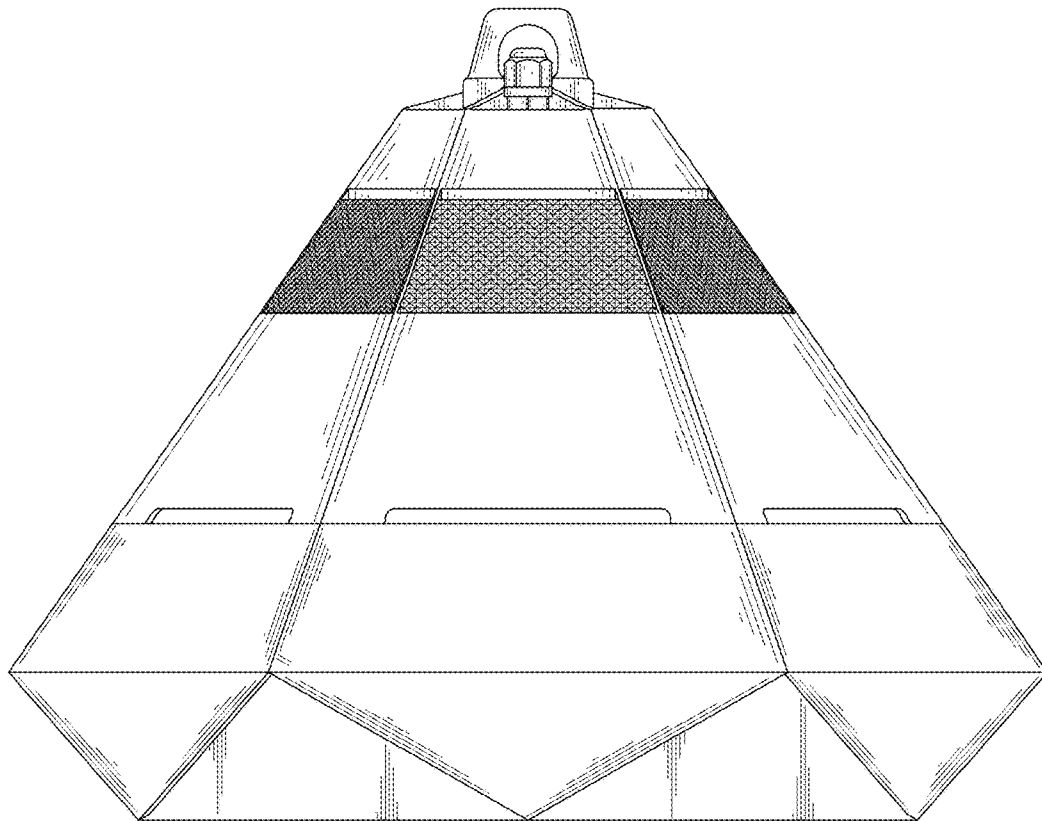


FIG. 4

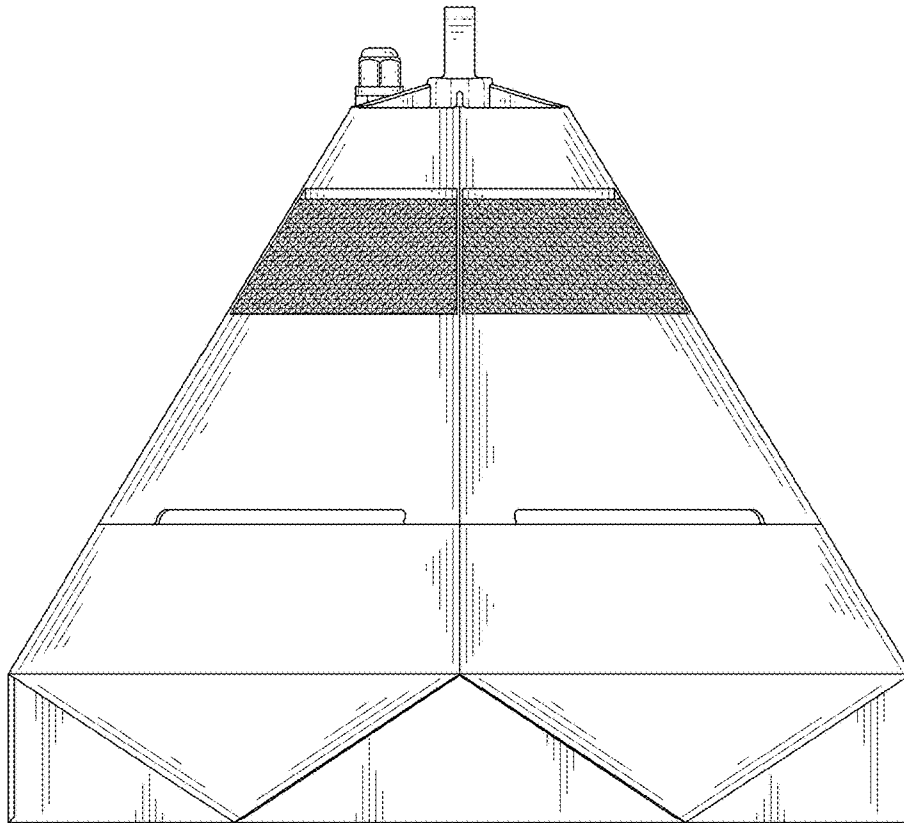


FIG. 5

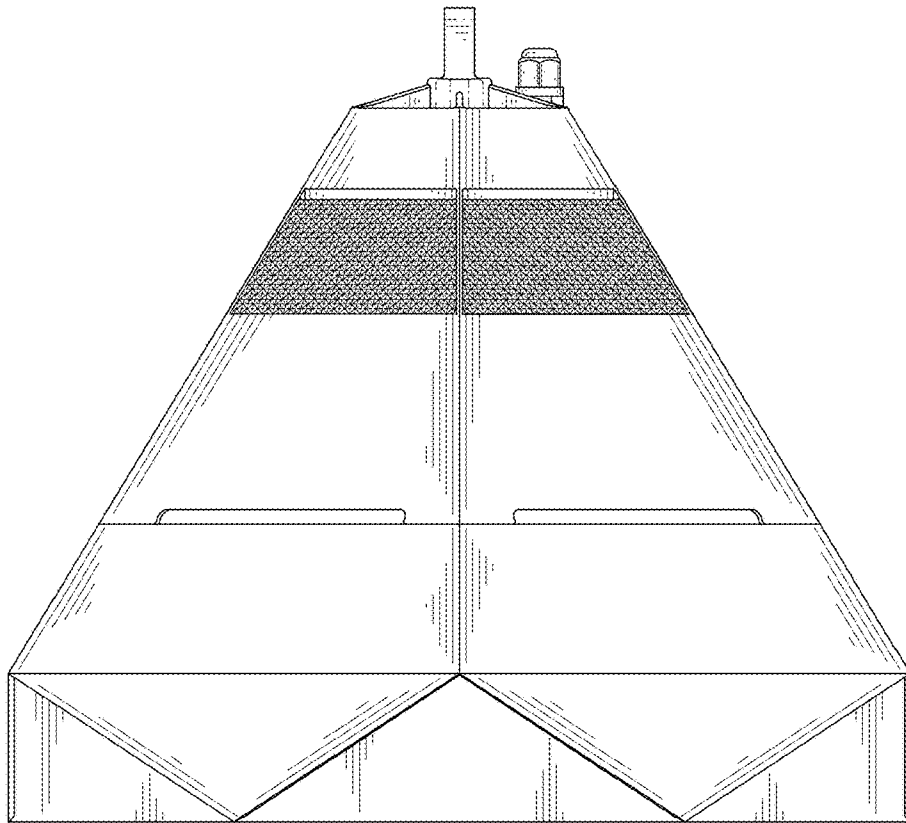


FIG. 6



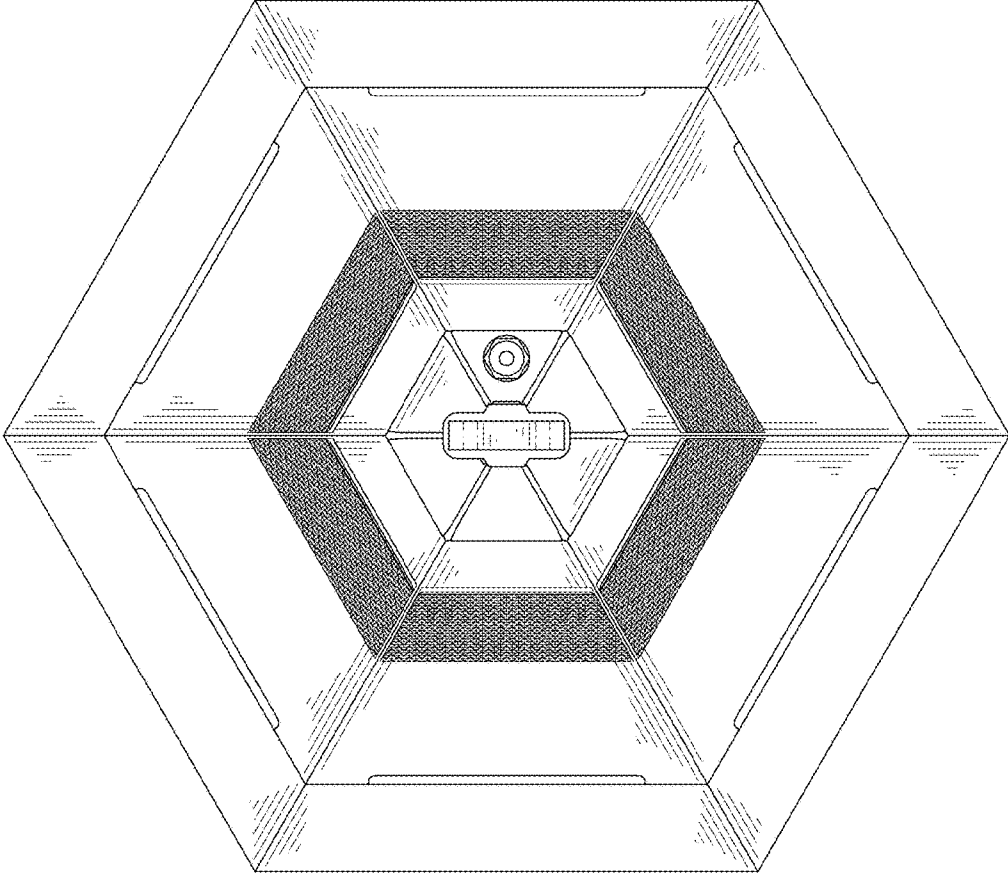


FIG. 7

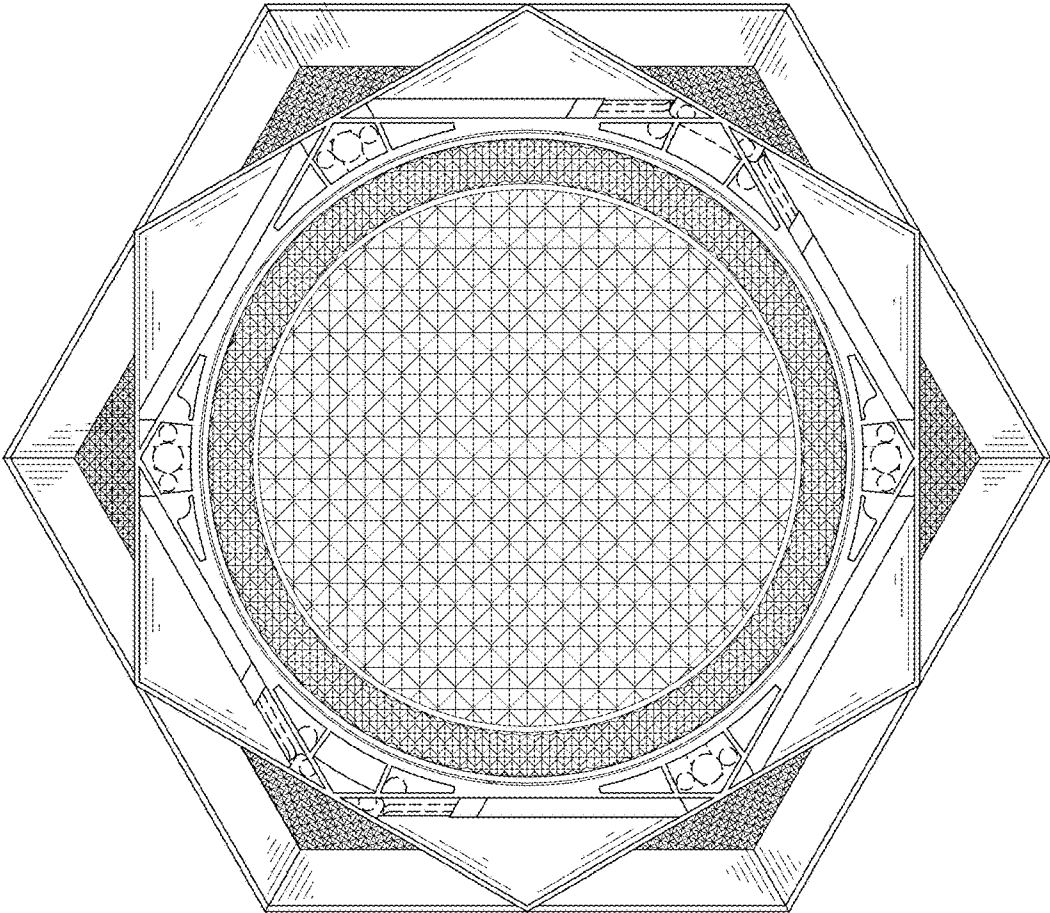


FIG. 8

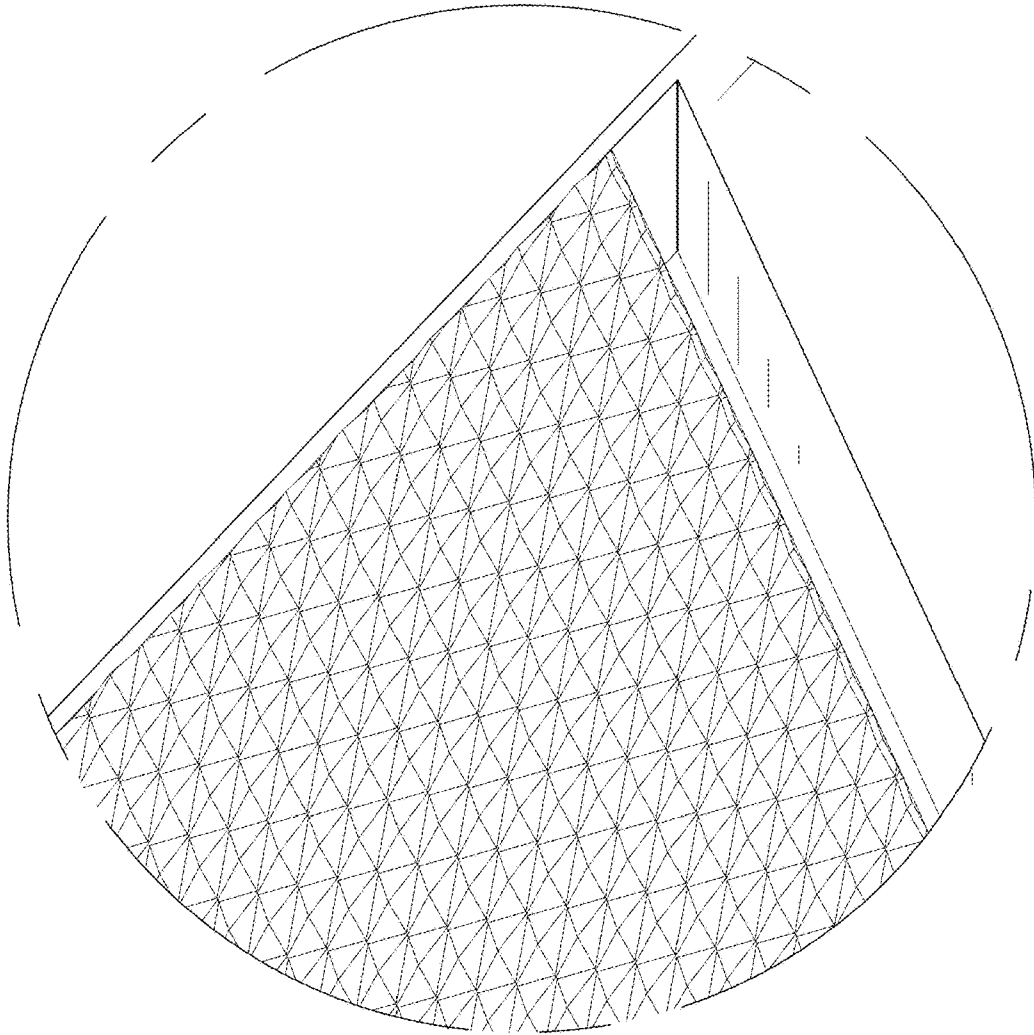


FIG. 9

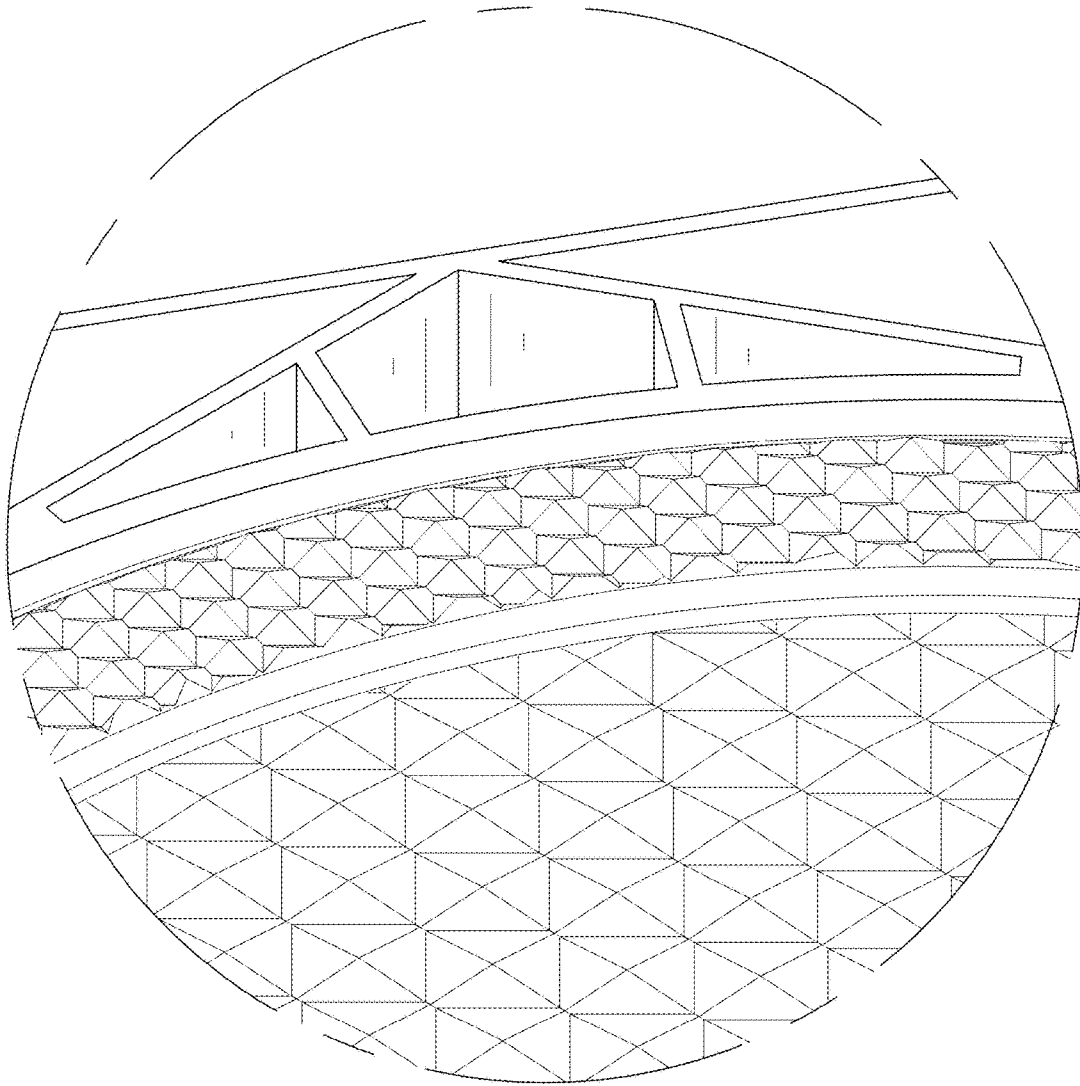


FIG. 10